

# LAVE MAINS

# DALLAS

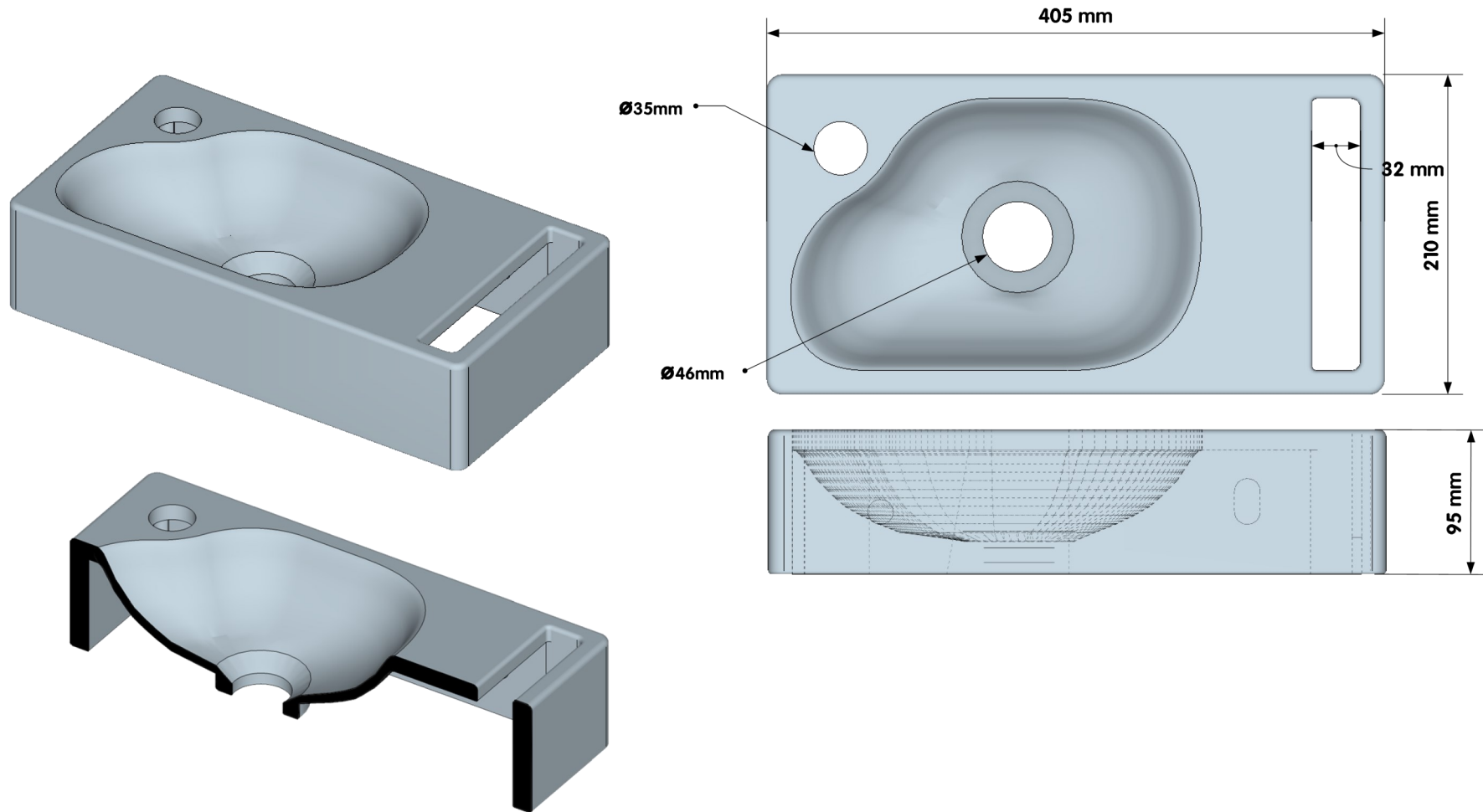


## NOUVEAUTES - NEW MODEL - NOUVEAUTES - NEW MODEL

|                                  |  |  |
|----------------------------------|--|--|
| <b>Produit</b><br>Product        | LAVE MAINS                                     | HANDWASH BASIN                                     |
| <b>Composition</b><br>Include    | 1 LAVE MAINS<br>"AVEC PORTE SERVIETTE"         | 1 HANDWASH BASIN<br>"WITH TOWEL HOLDER"            |
| <b>Matière</b><br>Material       | CERAMIQUE                                      | CERAMIC  |
| <b>Coloris</b><br>Color          | BLANC  | WHITE  |
| <b>Normes</b><br>Standards       | EN 14688                                       | EN 14688   |
| <b>Dimensions</b><br>Sizes       | Larg(mm): 405<br>Prof(mm): 210<br>Haut(mm): 95 | Width(mm): 405<br>Depht(mm): 210<br>Height(mm): 95 |
| <b>Poids (kg)</b><br>Weight (kg) | 5  | 5  |

# LAVE MAINS

# DALLAS



**GD** GodartDistribution

Carvin - France - Téléphone : +33 (0)3 21 79 16 79 - Fax : +33 (0)3 21 74 13 33 - [www.godart-distribution.com](http://www.godart-distribution.com) - Email : [contact@godart-distribution.com](mailto:contact@godart-distribution.com)