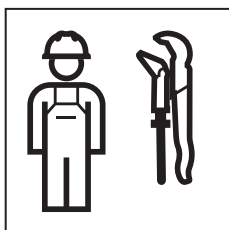


INSTALLATION MANUAL

MONTAGEANLEITUNG
INSTRUCTIONS DE MONTAGE
ISTRUZIONI PER IL MONTAGGIO



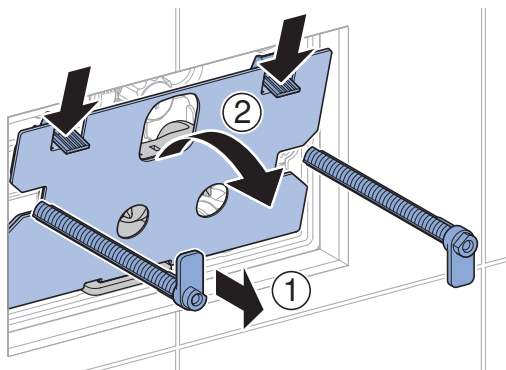
973.231.00.0(00)



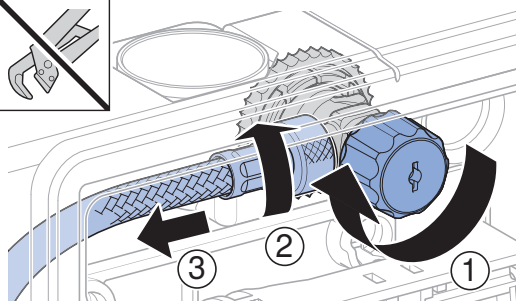
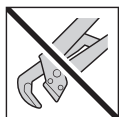


1

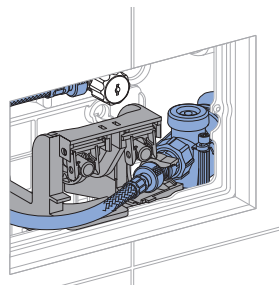
1



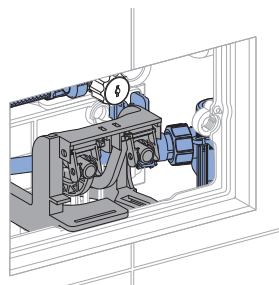
2



2



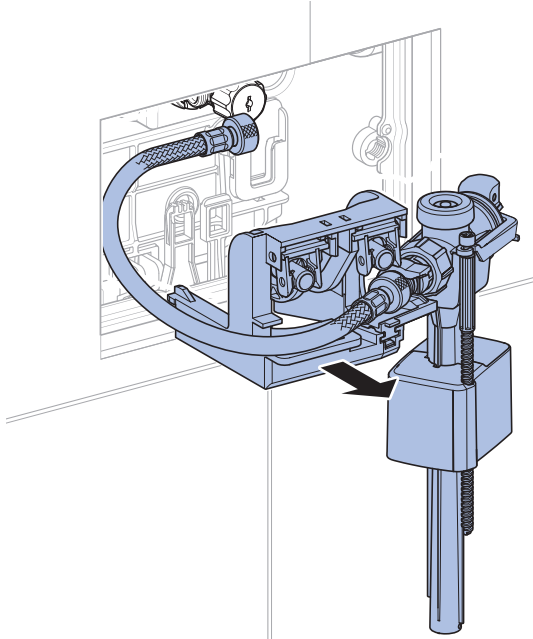
→ **3**  **3**



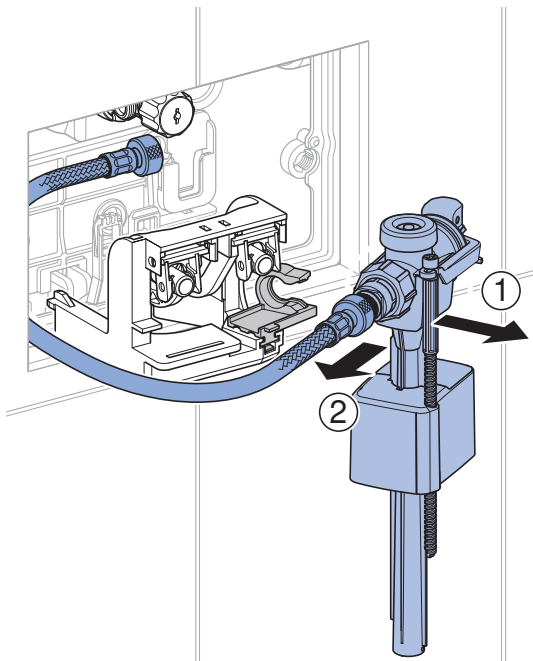
→ **4**  **4**

3

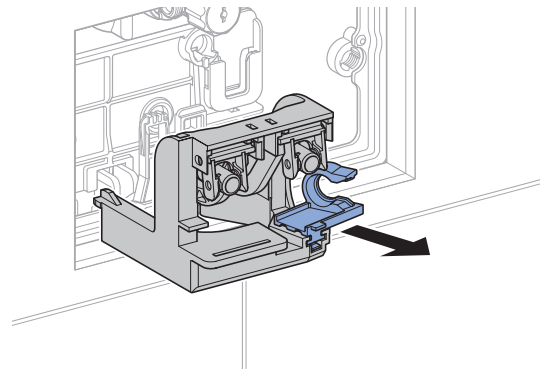
1



2



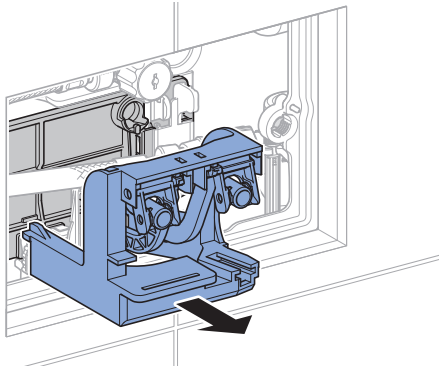
3



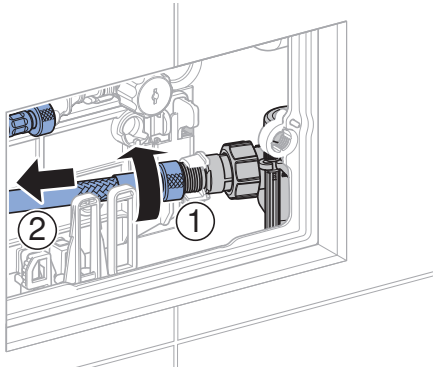
→ 5  5

4

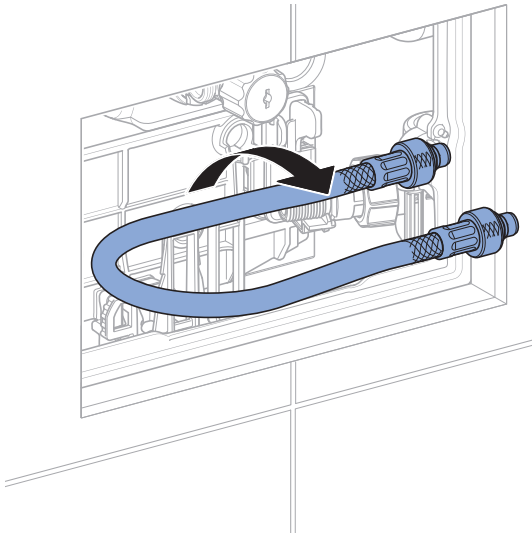
1



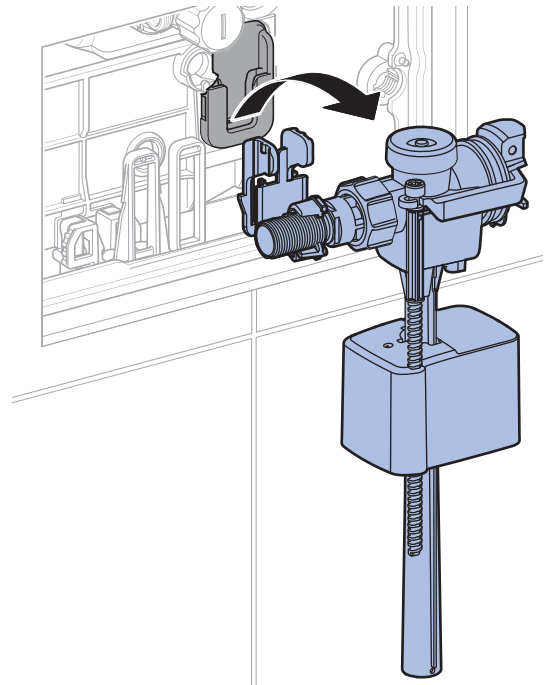
2



3

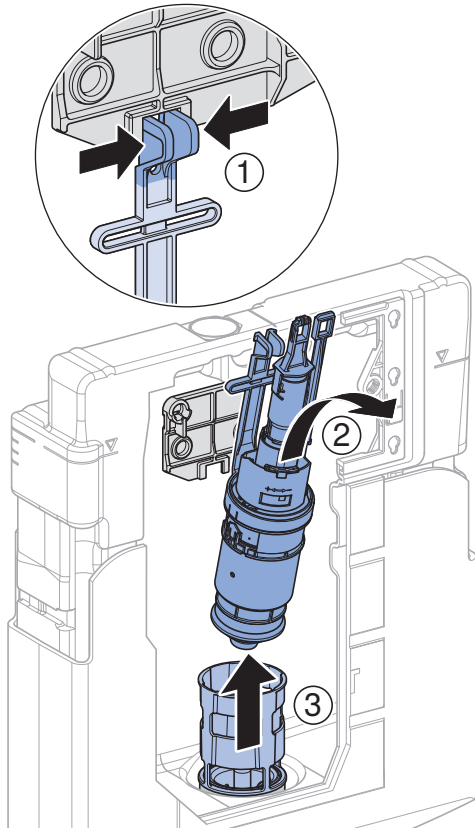


4

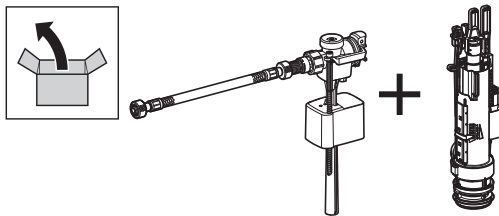


5

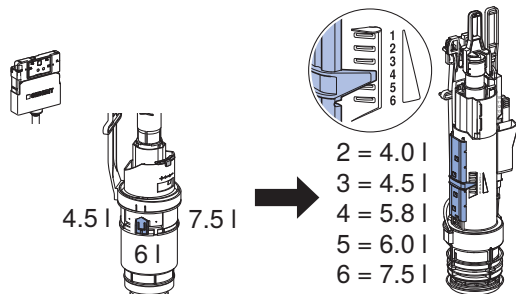
1



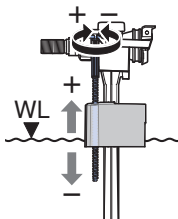
2



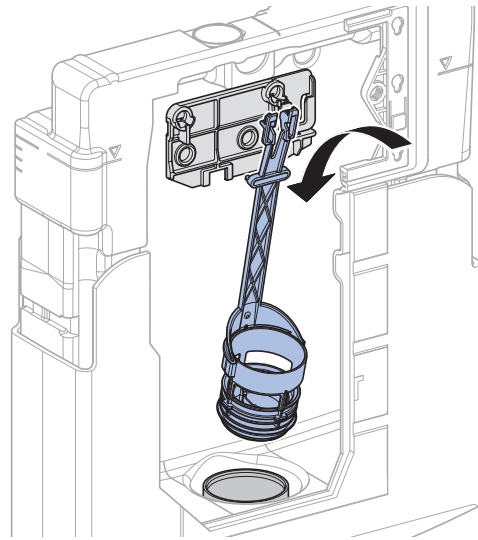
i



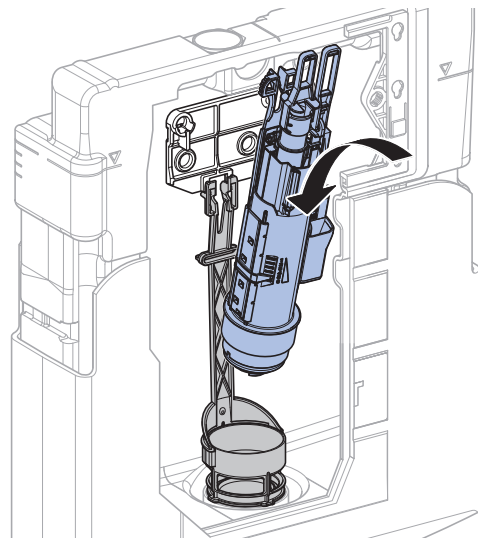
NOTE:
Not applicable for US
installations. Flush
volume modifications shown
are a violation of US law.
DO NOT ATTEMPT!



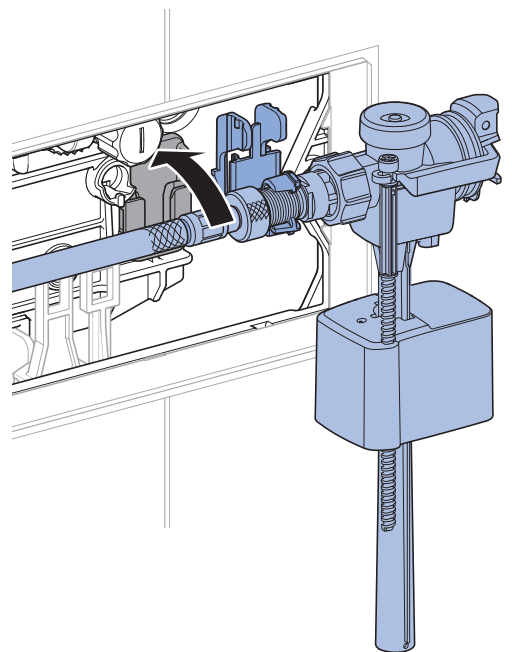
3



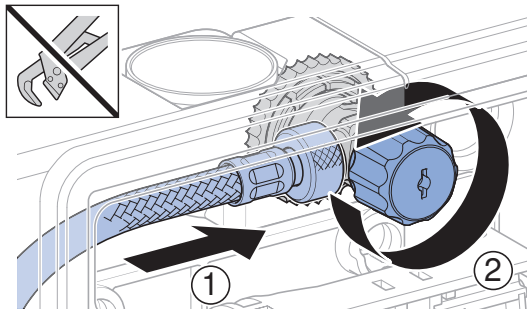
4



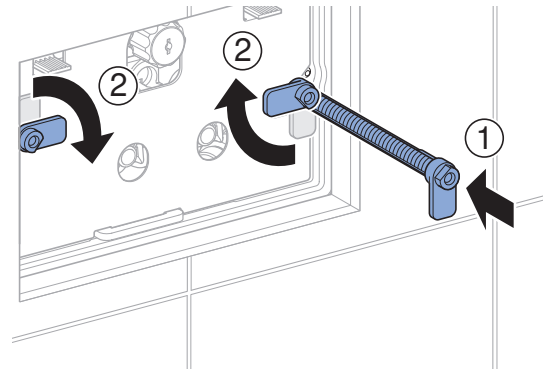
5



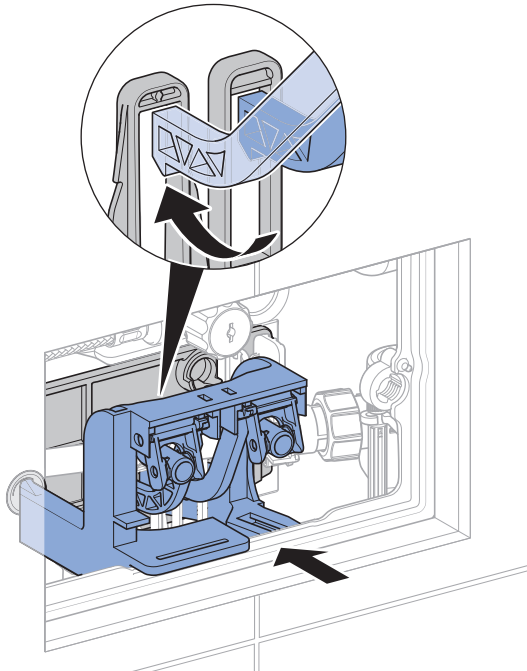
6



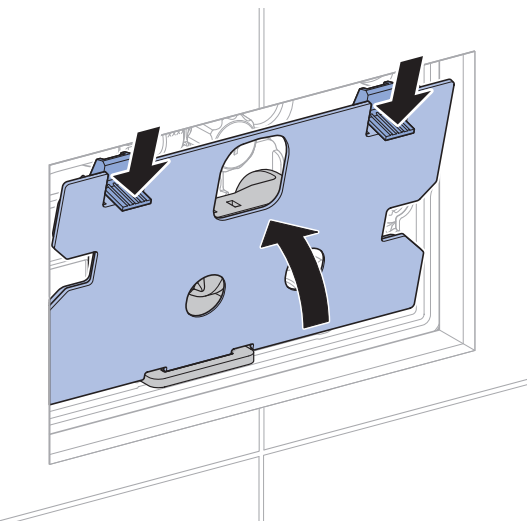
9



7



8



Geberit International AG
Schachenstrasse 77, CH-8645 Jona
documentation@geberit.com
www.geberit.com

