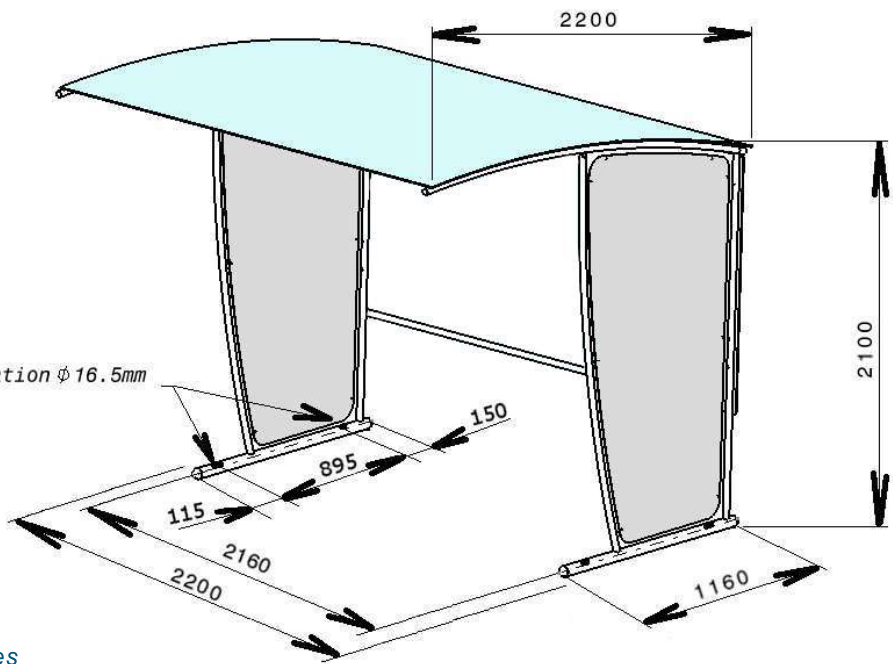


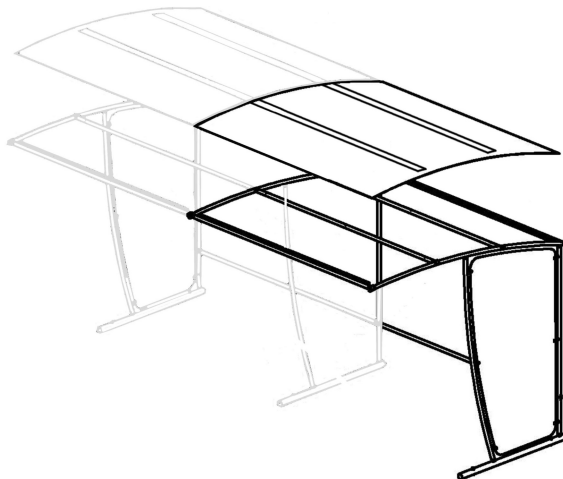
B805 - GARAGE A VELOS



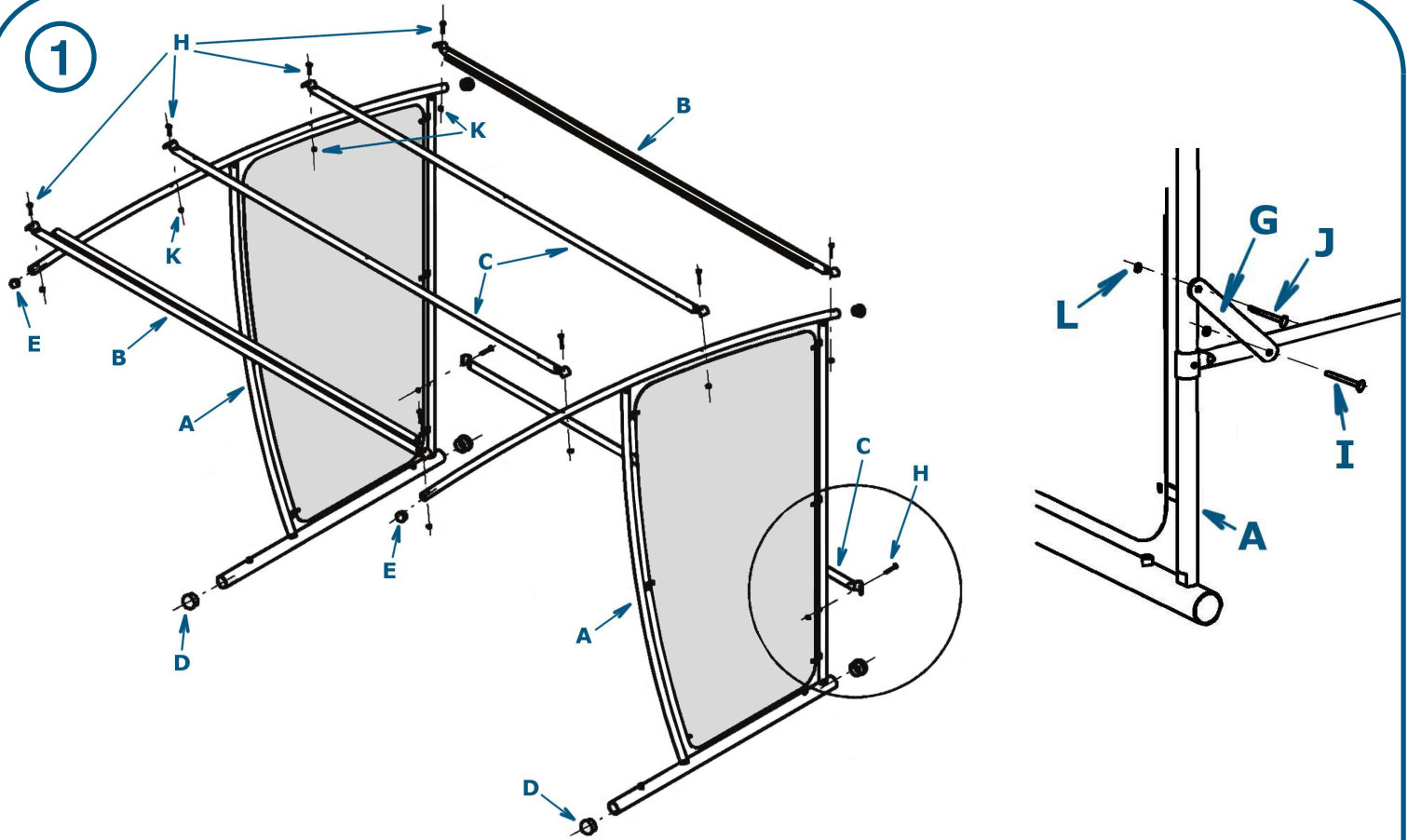
scellement sur dalle ou plots béton
(30 x 30 cm profondeur 40 cm)
par le biais de chevilles métalliques

<p>A x2</p> <p>(B805COTE)</p>	<p>B x2</p> <p>(B800SE3GA)</p>	<p>C x3</p> <p>(B800SE2GA)</p>		
	<p>D x4</p> <p>$\phi 50$</p> <p>(EM50I)</p>	<p>E x4</p> <p>$\phi 30$</p> <p>(EM30I)</p>	<p>F x1</p> <p>(PRB805)</p>	
<p>G x2</p> <p>30 ép 5 lg 214</p> <p>(PRB8051ZN)</p>		<p>H x10</p> <p>M8 x 50mm</p> <p>(VIH08 50)</p>	<p>I x8</p> <p>M6 x 50mm</p> <p>(VIH06 50 88)</p>	<p>J x2</p> <p>M6 x 40mm</p> <p>(VIH06 40 88)</p>
<p>K x10</p> <p>M8</p> <p>(VEH08NY)</p>	<p>L x10</p> <p>M6</p> <p>(VEH06NY)</p>	<p>M x6</p> <p>(VRLLO6ICA)</p>	<p>N x6</p> <p>$\phi 6 - \phi 24$</p> <p>(VRLLO6)</p>	<p>O x2</p> <p>25 ép 4 lg1940</p> <p>(B800SE5GA)</p>

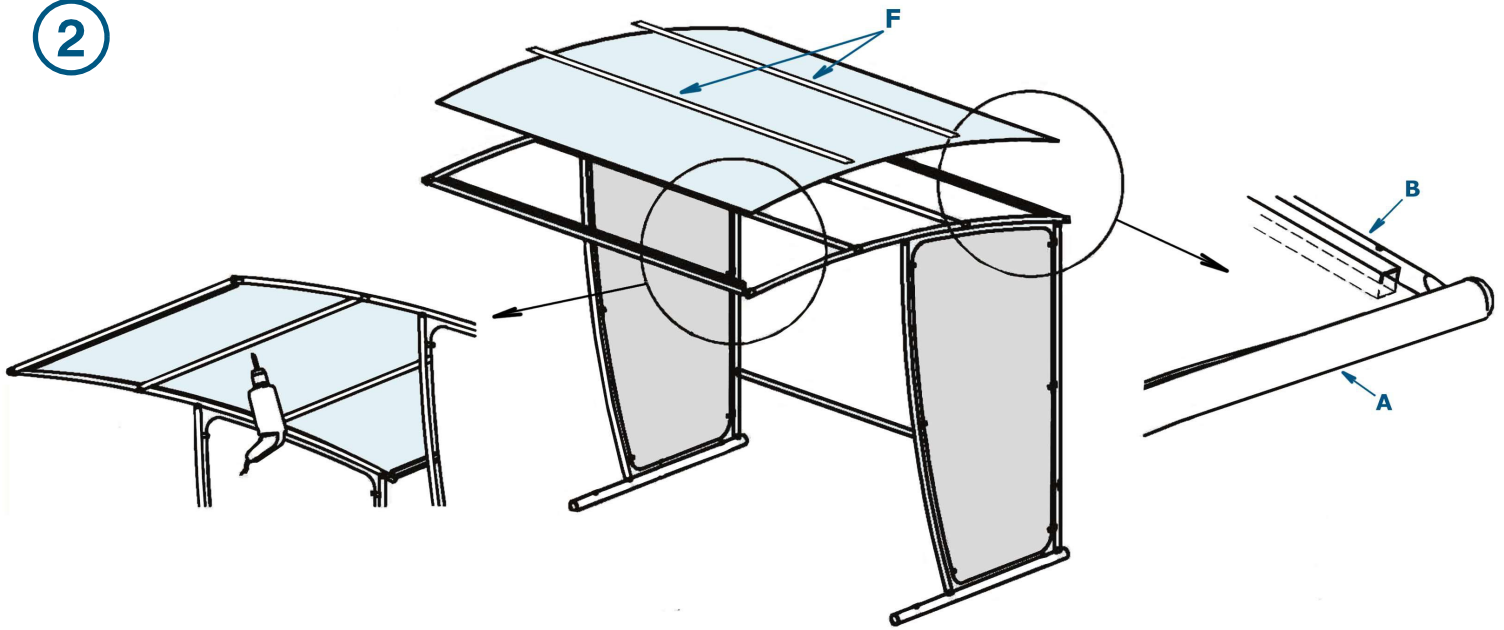
SUPPLEMENT B807 (fourni séparément)



1



2



3

